



Model: See affected units

Serial #: N/A

Oct. 13, 2023

Product Bulletin # TDS-244 Rev 2

Alert



Tensioning Cylinder Incident

Issue

Should the portable torque guide's (PTG) hydraulic tensioner cylinders lose pressure, the PTG cables may become slack, possibly causing the hydraulic cylinders to pivot toward the PTG track and collide with the top drive.

Affected Units

All (PTG) portable torque guides.

Recommended Inspection

Canrig recommends checking the following before usage of the PTG tensioner:

1. Inspect for safety securement of the PTG, including the cylinder clevis pin and anti-rotation slider for securement, as shown in Figure 1.

NOTICE

Reference: [Product Bulletin #TDS-234](#) for Portable Torque Guide Updates and for top drives that meet the DROPS online program.

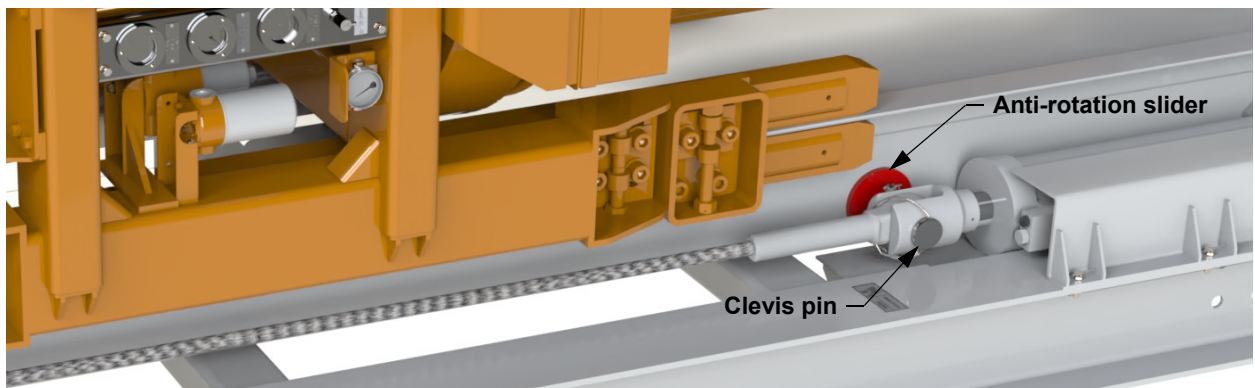


Figure 1: Hydraulic tensioner cylinder



Model: See affected units	Oct. 13, 2023
Serial #: N/A	
Alert	

2. Check the pressure at the TPA port on the tensioner valve manifold to ensure the pressure is set at 2,150 psi when installed.

NOTICE Valve pressure is pre-set by Canrig. Do not exceed the recommended pressure setting indicated.

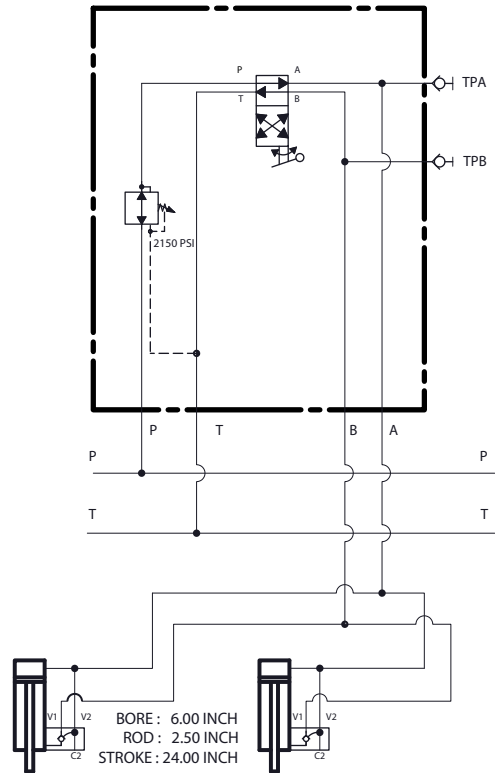


Figure 2: Tensioner manifold assembly

3. Inspect the hoses and fittings connecting the tensioner manifold assembly and tensioner hydraulic cylinders for damage or wear.





Model: See affected units	Oct. 13, 2023
Serial #: N/A	
Alert	

- Inspect the PTG to ensure all the torque guide sections 1 through 5 are within 1/8" maximum alignment across the joints with a level tool.

NOTICE To determine flat horizontal surfaces between each section of the portable torque guide, refer to the work instruction document ENG 50602.

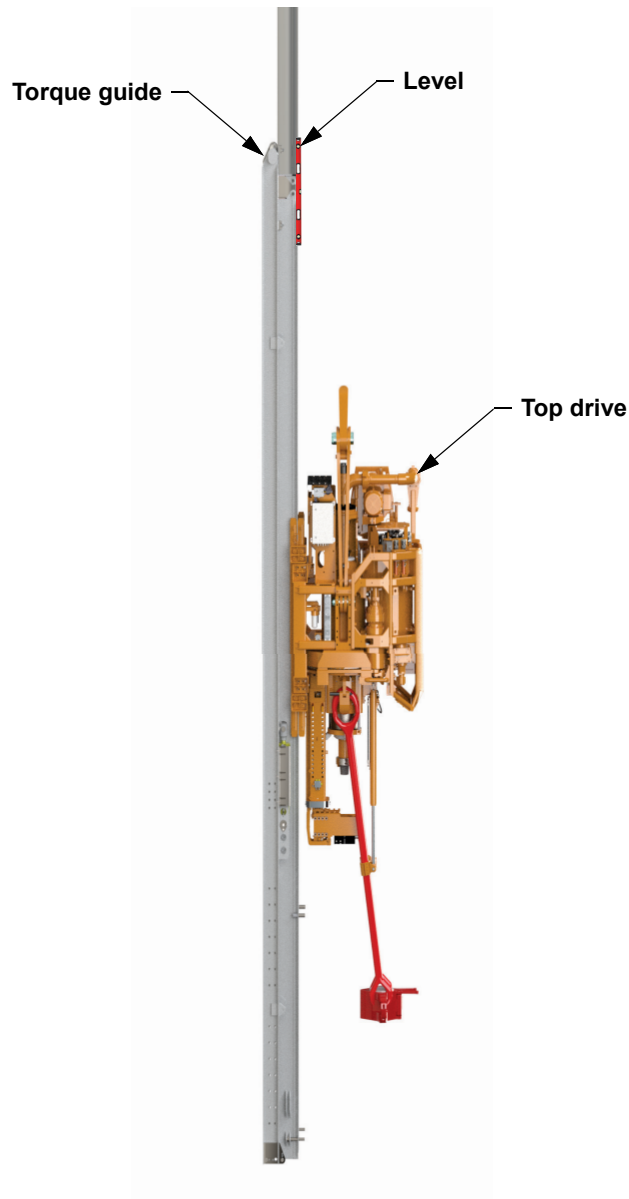


Figure 3: Torque guide section



Model: See affected units	Oct. 13, 2023
Serial #: N/A	
Alert	

- After Steps 1 through 4 conditions have been verified, the tensioner cylinders can be retracted for tensioning of the PTG tension cables.
- When the top drive is installed and laying flat, inspect to ensure the overall gap is an 1/8" to 3/16" (3.2 mm to 4.8 mm) between the front or rear guide runners and the portable torque guide rails, (see Figure 4).

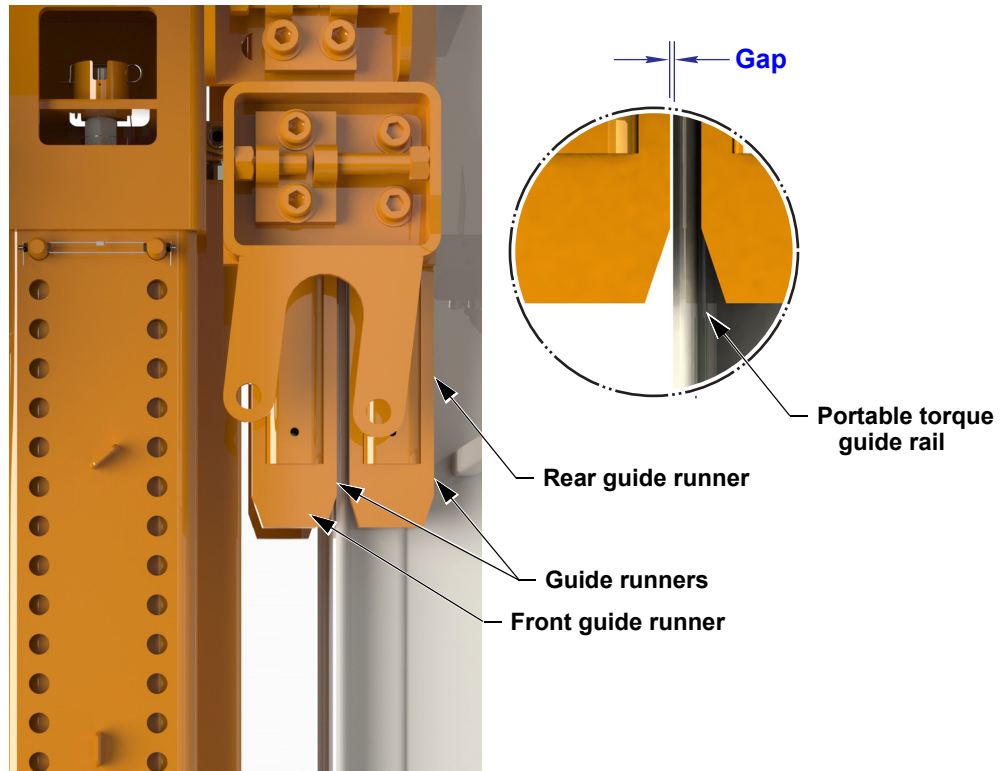


Figure 4: Guide runner wear inspection



Model: See affected units	Oct. 13, 2023
Serial #: N/A	
Alert	

Recommended Modification

As a precaution, the following modification can be performed to ensure the hydraulic tensioner cylinder remains clear of the guide runners if the hydraulic cylinders fail during operation.

Table 1: Tensioner Modification Components

Item	Qty.	Description	Material	Part Number
A	1	BAR, FLAT 1-1/2" x 3/4" x 50" [38 x 19 x 1270 mm]	ASTM A36	
B	1	PLATE, 1/4" x 6" x 4.41" [6 x 152 x 111.9 mm]	ASTM A36	
C	1	PLATE, 1/4" x 1/2" x 1/2" [6 x 12 x 12 mm]	ASTM A36	
D	18"	WIRE ROPE, 1/8", 7 x 19	STAINLESS STL	M10022
E	N/A	FERRULE, 1/8", OVAL	ALUMINUM	M19-3009-010

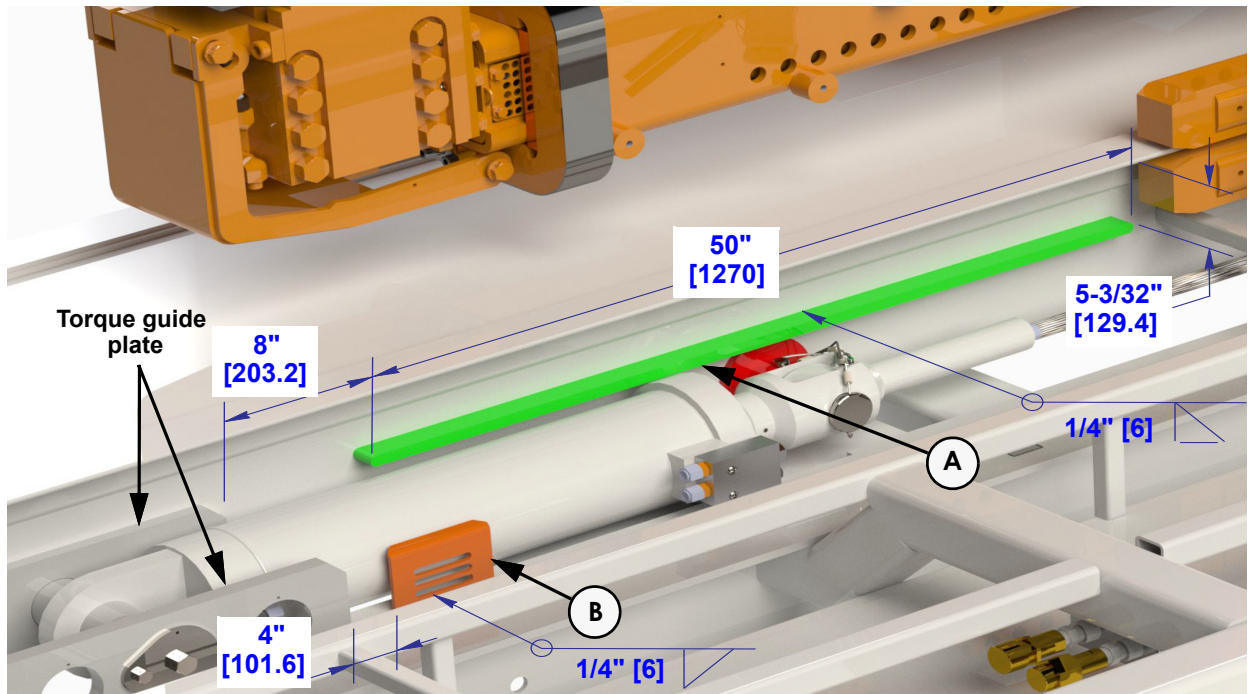


Figure 5: Tensioner modification

Model: See affected units	Oct. 13, 2023
Serial #: N/A	
Alert	

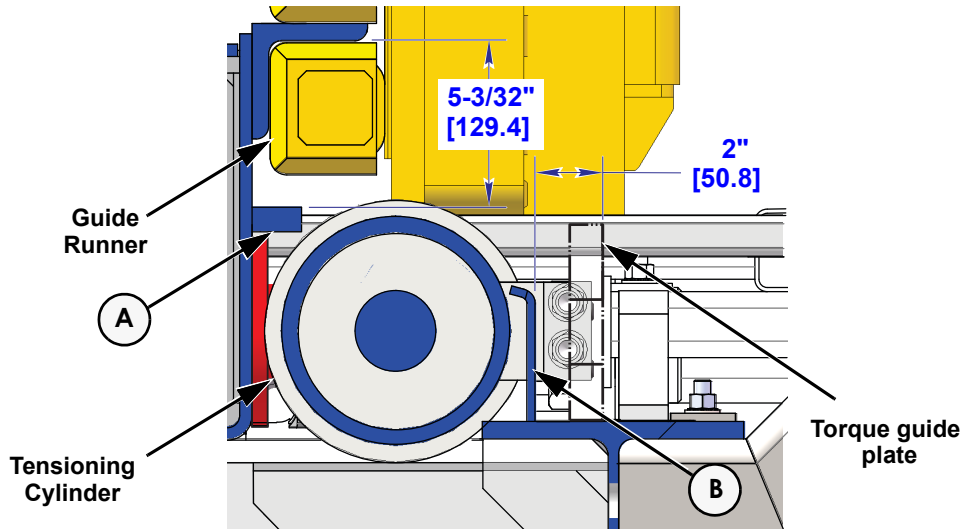


Figure 6: Tensioner modification detail

For additional safety securement (Part C) pad-eye can be welded to the anti-rotation slider. After welding (Part C) to the anti-rotation slider, secure the anti-rotation slider to the existing carabiner using 1/8" wire and ferrules as shown in Figure 7.

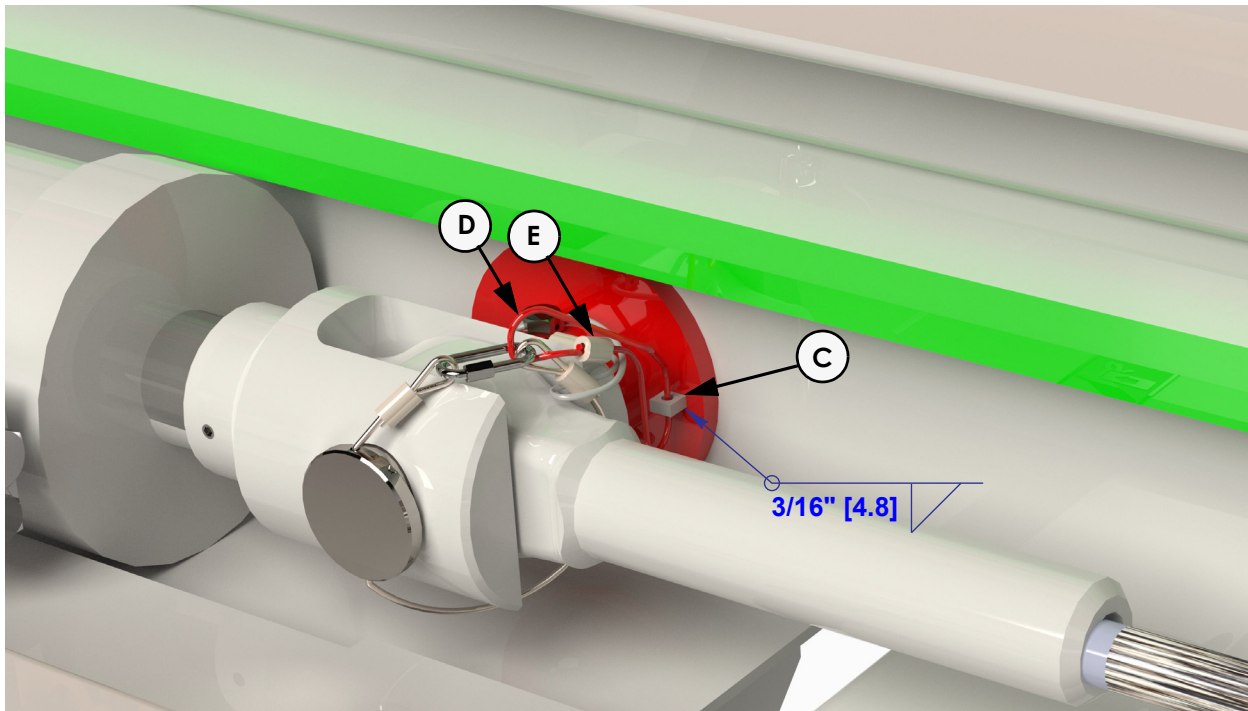


Figure 7: Anti-rotation slider plate modification



Model: See affected units	Oct. 13, 2023
Serial #: N/A	
Alert	

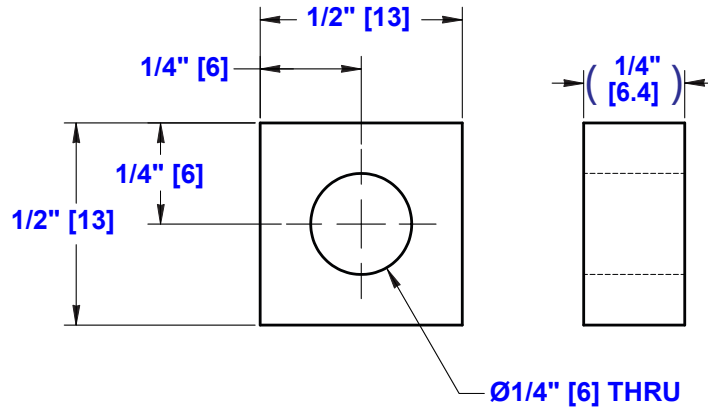


Figure 8: Part C Safety securement tab for the anti-rotation slider

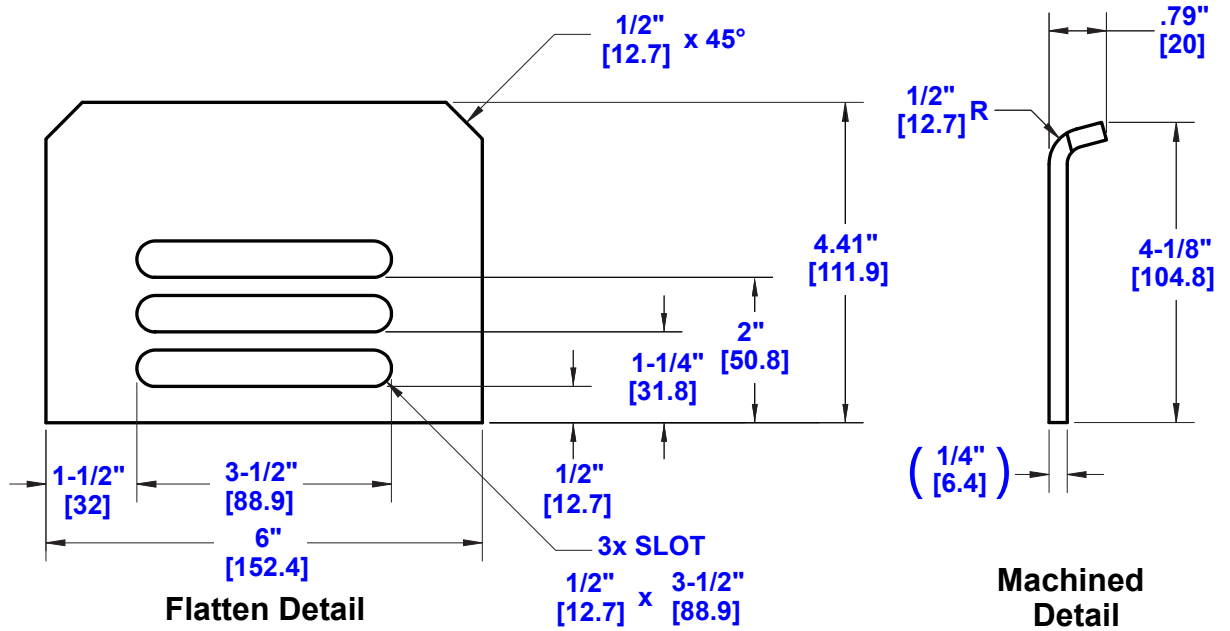


Figure 9: Part B Cylinder guide plate



Model: See affected units	Oct. 13, 2023
Serial #: N/A	
Alert	

This page is intentionally left blank.