



Model: 250-HMI(S)-450	Jan. 25, 2022
Serial #: N/A	
Product Bulletin # TDS-236 Rev 2	

HMI Top Drive Adjustable Extend Arm Upgrade

Issue

Canrig has requirements for the allowable misalignment of the top drive from the drill stump. (See Product Bulletin TDS-194). Failure to conform to these requirements will result in substantial side loading of the quill. In some cases, this has resulted in the cracking of the quill pin, and/or the Mud Saver Valve (Lower Well Control Valve), causing major equipment failures and safety hazards.

Most Canrig top drives have the means to adjust the tilt of the top drive by adjustment on the torque arrest system. However, model HMI top drives are not equipped with such a tilt adjustment. Canrig has recently released an upgrade kit that allows for the tilt adjustment of HMI top drives by replacing the fixed length extend arms with adjustable length arms.

Affected Product Line

Canrig model 250-HMI(S)-450 top drives.

Recommended Action

Inspect your top drive to ensure that it meets the well center alignment criteria shown in Product Bulletin TDS-194.

Contact RIGLINE 24/7™ or your Canrig Representative to purchase Upgrade Kit Part # 5102940, to allow tilt adjustability of your top drive. Instructions for proper installation and shimming of upgrade kit will be included with purchase of upgrade kit. (Drawing # 5102940).



Figure 1: Noticeable Tilt of HMI Top Drive

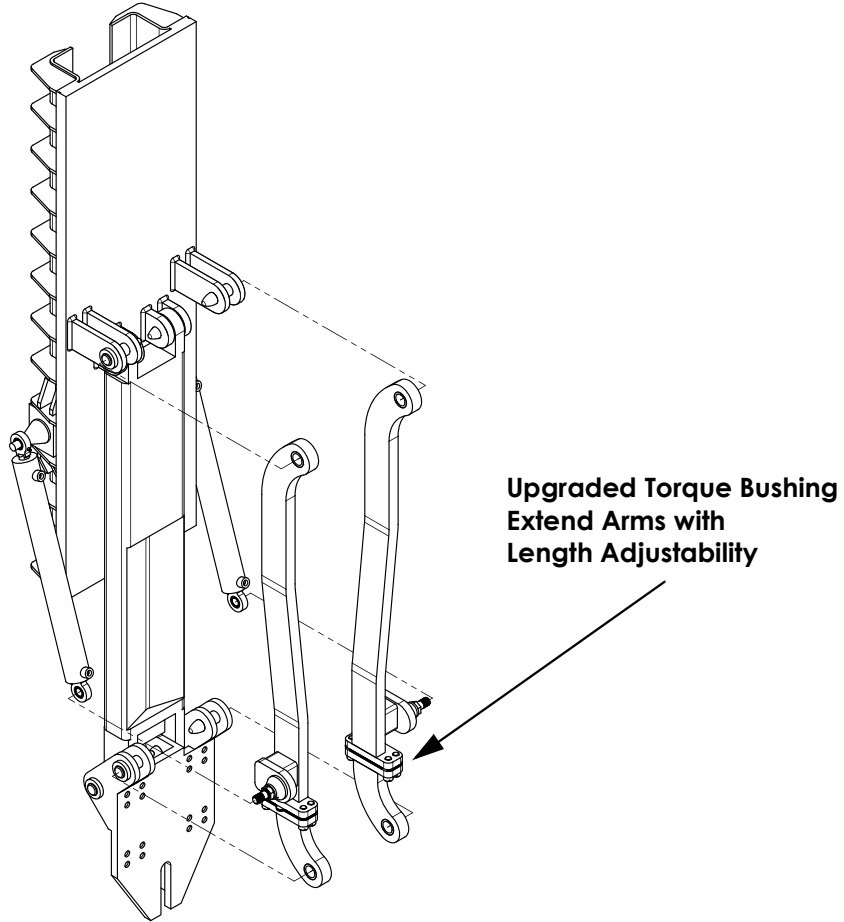


Figure 2: Upgraded Torque Bushing Extend Arms with Length Adjustability